

DESCRIPTION

ProtecTor Module combines the functions of high current absorber and line voltage clamping in a single module.

It provides continuous protection from lightning, over-voltage and other high-energy electrical disturbances both transient and continuous **on a stand-alone basis** where supply connect critical equipment

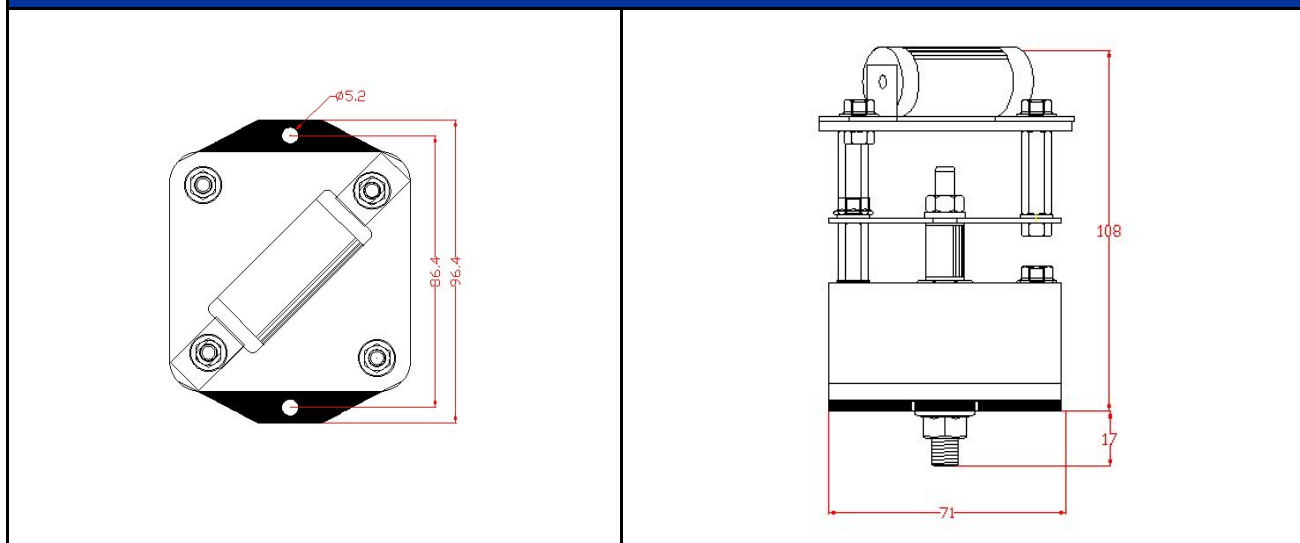
FEATURES

- **High current surge protection operation 70KA**
- Extremely low Insertion Losses
- Integrated diagnostics for remote monitoring
- Recommended for differential mode protection

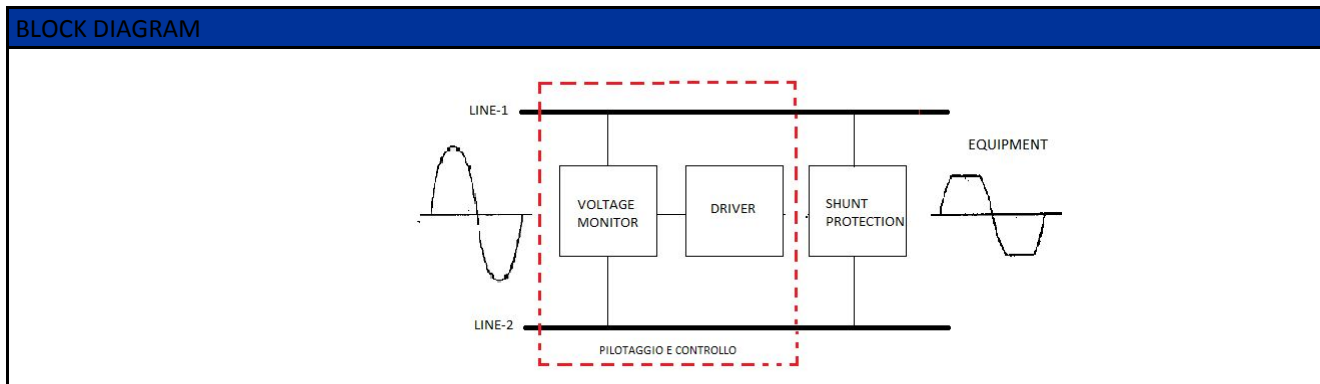
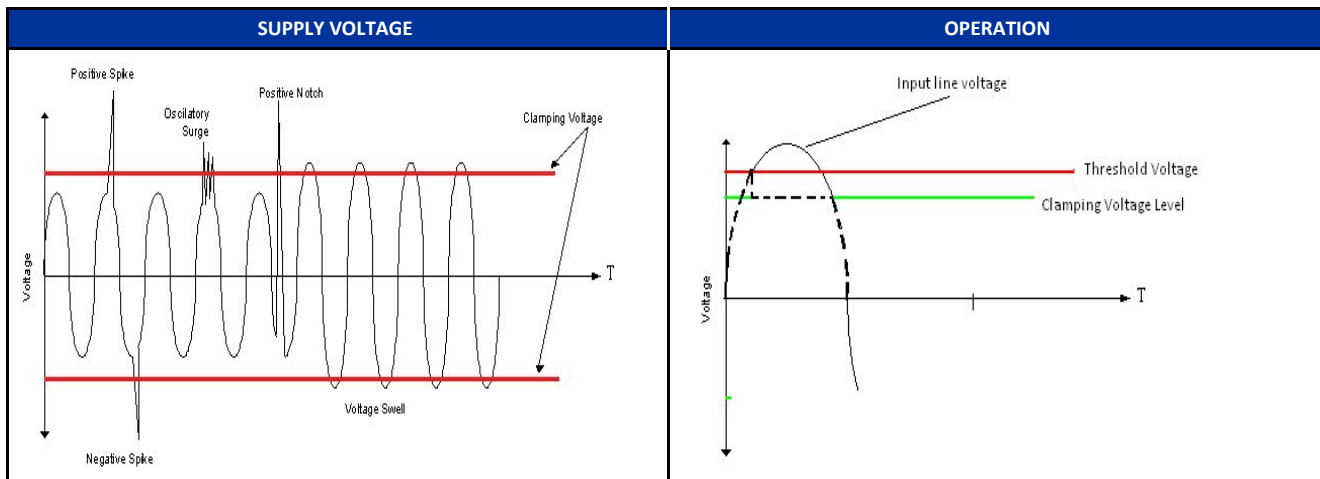
TECHNICAL SPECIFICATIONS

1. Operating Voltage - Vac	230 V / 400V / 510V
2. Max Clamping Voltage at In	580Vp / 880Vp/1200Vp
3. Surge current capability - (8/20 μ s) – In	40KA
4. Surge current capability - (8/20 μ s) – IMAX	70KA
5. Frequency - Hz	50 – 60Hz
6. Response Time	< 25 ns
7. Flammability	UL 94V0
8. Operating Temperature	-40 - +85°C
9. Mounting	Screw Mounting
10. Case	PA6 Glass Reinforced
11. Layout Dimensions w x d x h (mm)	70 X 70 X 120
12. Weight	1,5 Kg
13. Connectors	Terminal block
14. Cable section (mm ²)	5 – 25
15. Marking per LVD	CE
16. Reference standard	En 61643 - 11

DIMENSIONS



CODE	DESCRIPTION
PKT230V70	Voltage Protector Module 230V 70kA



INTERCONENCTION OPTIONS			
Connector		Mode of Protection	System Configuration
L	G	Line-to-Ground (L-G)	Single-phase; Three-phase
L	N	Line-to-Neutral (L-N)	Single-phase; Three-phase
N	G	Neutral-to-Ground (N-G)	Single-phase; Three-phase