

MODEL

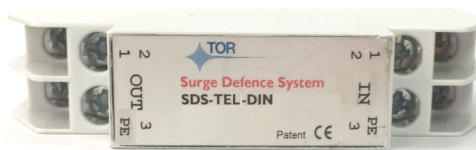
SDSTELDIN170VDC

APPLICATIONS


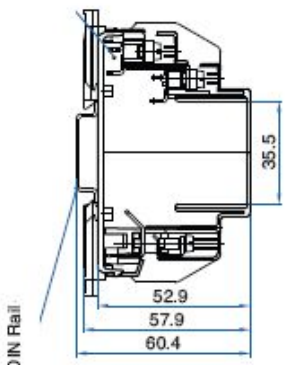
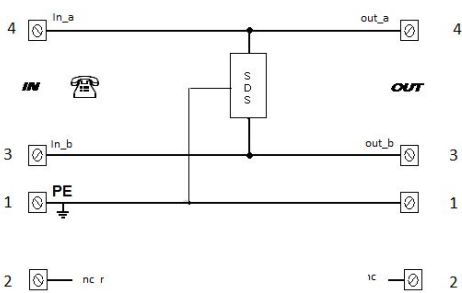
- Protection against lightning and transient high-energy on telephone line

FEATURES

- Unbeatable capability of diverting lightning energy
- Differential and Common Mode protection (DM, CM)
- Extremely low insertion loss
- Bi-directional Protection



ELECTRICAL SPECIFICATIONS		
1.	Wire-to-wire Nominal Voltage (a-b) DC	130V
2.	DC Maximum Continuous Voltage	170V
3.	Maximum wire-to-wire frequency	3MHz
4.	Protection modes (CM, DM)	a-b, a-PE, b-PE
5.	Surge Immunity Current 8/20us	1.5KA
6.	Protection Level a-b with In	<450V
7.	Protection Level a/b - PE	<450V
TECHNICAL SPECIFICATIONS		
8.	Flammability	UL94-V0
9.	Operating Temperature (°C)	-20 ~ 60°C
10.	Mounting Standard	DIN RAIL(EN50022)
11.	Enclosure Standard	DIN43880
12.	Enclosure Material	Thermoplastic Ral-7035 UL-V0
13.	Protection Degree (IEC529)	IP20
14.	Relative Humidity – RH no dew	100%
15.	Safety Standard	EN60950
16.	Marking per LVD - EEC 73/23	CE
17.	Case	1 units DIN43880
18.	Vibrations	10-55Hz X Y Z 1min sweep <19.6m/sec ²

DIMENSIONS		CONNECTIONS
		

CODE	DESCRIPTION	DIMENSIONS (mm)	WIGHT (gr)
------	-------------	-----------------	------------

SDSTELDIN170VDC	TEL PROTECTION 1CHANNEL +1PE	17,5/60/90	90
-----------------	------------------------------	------------	----